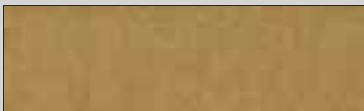


# SLIDING PANELS SYSTEM AND FASCIAS

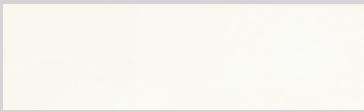


## « FASCIA WITH METAL ENDS »

### \*\* PELMET COLOURS:



00. UNFINISHED



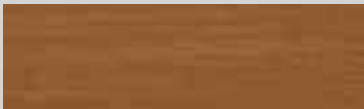
06. WHITE



07. BLACK



10. WENGUE



11. CHERRY TREE



42. ALUMINIUM



70. ANTHRACITE



73. CARBON

### \*\* METAL COLOURS:



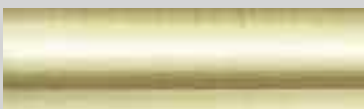
24. GOLD



42. MATT-NICKEL



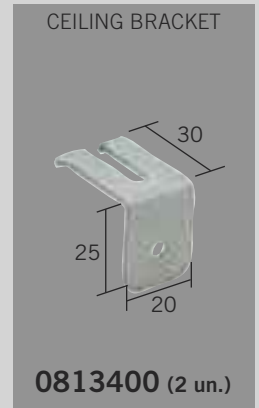
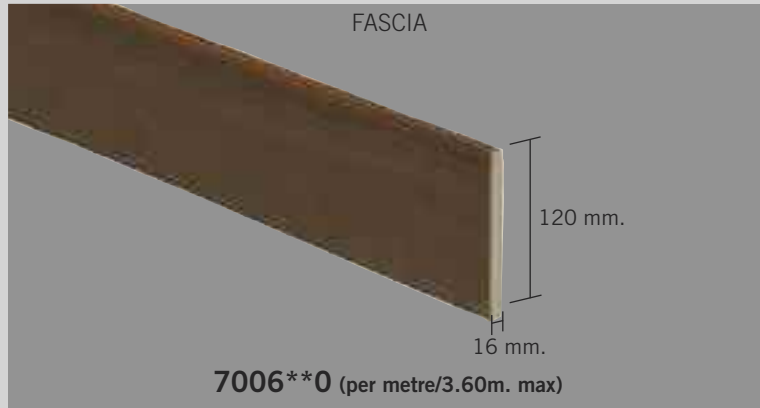
43. CHROMED



47. ANTIQUE-BRASS



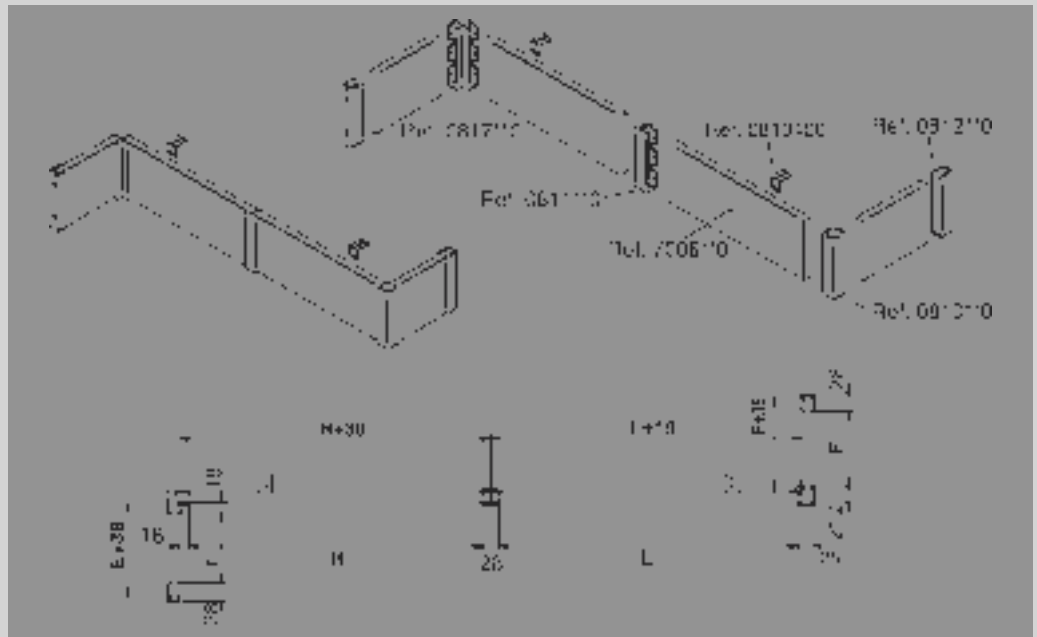
70. GRAPHITE



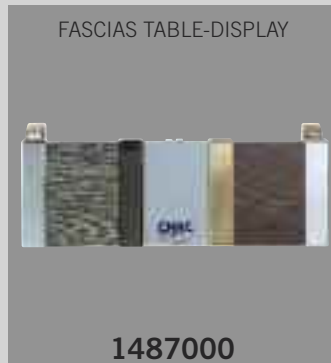
COLOUR CODE: Where "\*\*", substitute them with the required & available two digit colour code.



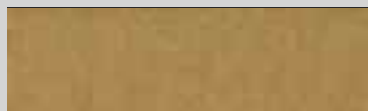
Substitute "\*\*" with the required colour code: 24 (Gold), 42 (Matt-Nickel), 43 (Chrome), 47 (Antique-Brass) or 70 (Graphite).



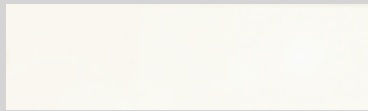
## « FASCIAS DISPLAYS »



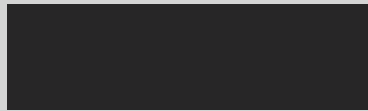
**\*\* PELMET COLOURS:**



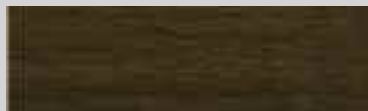
00. UNFINISHED



06. WHITE



07. BLACK



10. WENGUE



11. CHERRY TREE



42. ALUMINIUM

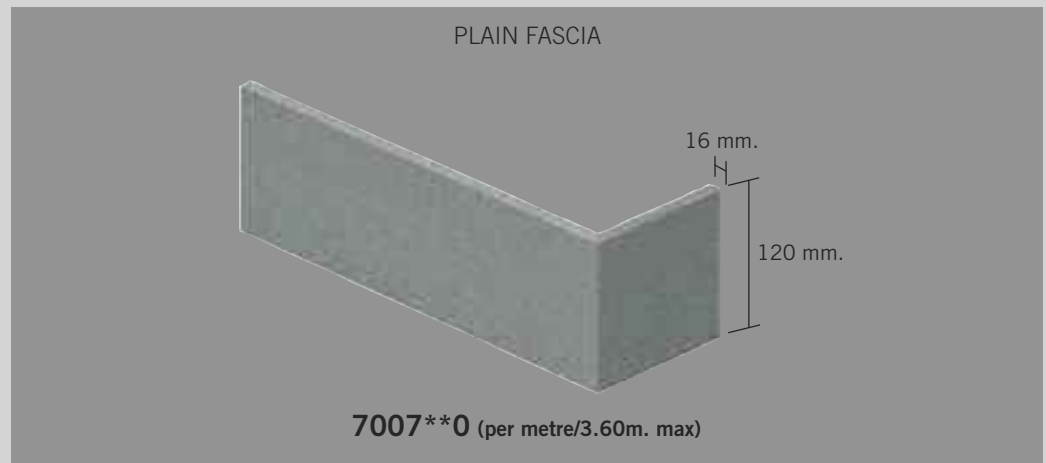


70. ANTHRACITE



73. CARBON

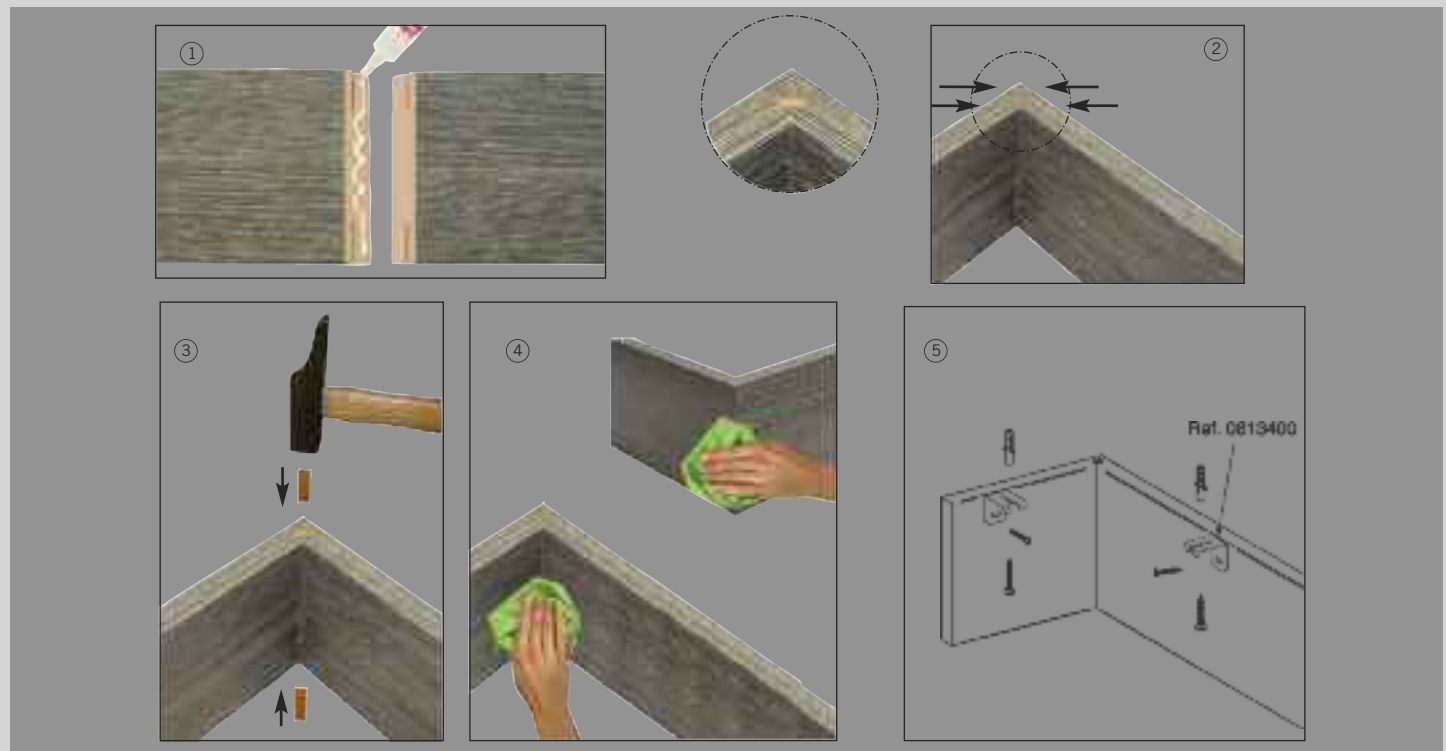
**<< PLAIN FASCIA >>**



COLOUR CODE: Where "\*\*\*", substitute them with the required & available two digit colour code.



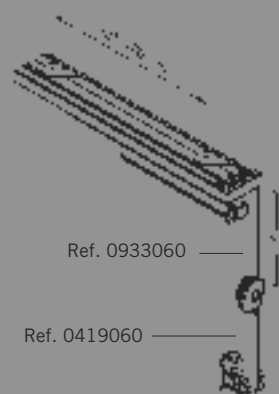
**\*\* JOINER COLOURS:** 06. WHITE 10. WENGUE 11. CHERRY TREE  
12. ASH (for colours 70 & 73) 40. GREY SILVER (for colour 42)



COLOUR CODE: Where "\*\*\*", substitute them with the required & available two digit colour code.

PACKAGING CODE: 0. BULK

## « SLIDING PANELS SYSTEM »



### PANEL PROFILE « 2 CHANNELS »

DESCRIPTION	SINGLE STK. UNCORDED	SINGLE STK. CORDED	PAIR STACKING	OUTER
Panel track 1.50 m. / 59" . White (3 brackets)	7038060	7014060	7062060	1
Panel track 2.00 m. / 79" . White (3 brackets)	7039060	7015060	7063060	1
Panel track 2.50 m. / 98" . White (4 brackets)	7040060	7016060	7064060	1
Panel track 3.00 m. / 118" . White (5 brackets)	7041060	7017060	7065060	1
Panel track 3.50 m. / 138" . White (6 brackets)	7042060	7018060	7066060	1
Panel track 4.00 m. / 157" . White (6 brackets)	7043060	7019060	7067060	1

### PANEL PROFILE « 3 CHANNELS »

DESCRIPTION	SINGLE STK. UNCORDED	SINGLE STK. CORDED	PAIR STACKING	OUTER
Panel track 1.50 m. / 59" . White (3 brackets)	7044060	7020060	7068060	1
Panel track 2.00 m. / 79" . White (3 brackets)	7045060	7021060	7069060	1
Panel track 2.50 m. / 98" . White (4 brackets)	7046060	7022060	7070060	1
Panel track 3.00 m. / 118" . White (5 brackets)	7047060	7023060	7071060	1
Panel track 3.50 m. / 138" . White (6 brackets)	7048060	7024060	7072060	1
Panel track 4.00 m. / 157" . White (6 brackets)	7049060	7025060	7073060	1

### PANEL PROFILE « 4 CHANNELS »

DESCRIPTION	SINGLE STK. UNCORDED	SINGLE STK. CORDED	PAIR STACKING	OUTER
Panel track 1.50 m. / 59" . White (3 brackets)	7050060	7026060	7074060	1
Panel track 2.00 m. / 79" . White (3 brackets)	7051060	7027060	7075060	1
Panel track 2.50 m. / 98" . White (4 brackets)	7052060	7028060	7076060	1
Panel track 3.00 m. / 118" . White (5 brackets)	7053060	7029060	7077060	1
Panel track 3.50 m. / 138" . White (6 brackets)	7054060	7030060	7078060	1
Panel track 4.00 m. / 157" . White (6 brackets)	7055060	7031060	7079060	1

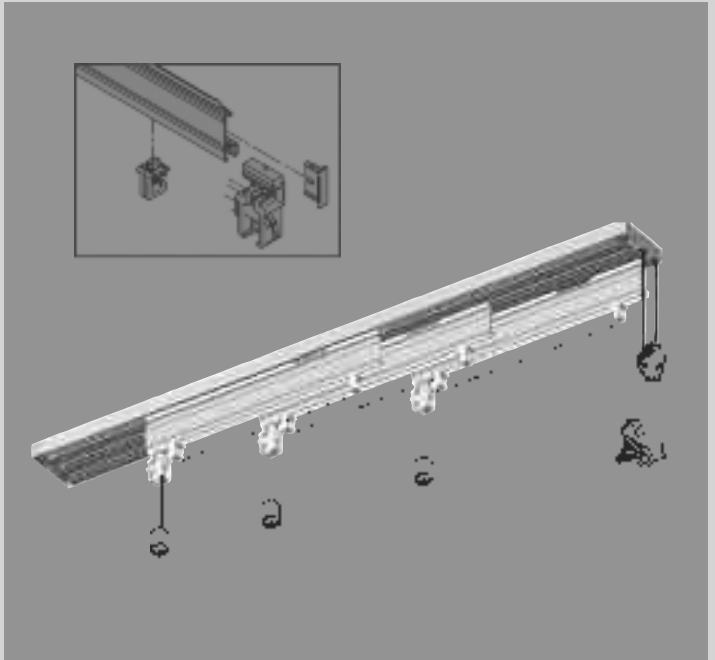
### PANEL PROFILE « 5 CHANNELS »

DESCRIPTION	SINGLE STK. UNCORDED	SINGLE STK. CORDED	PAIR STACKING	OUTER
Panel track 1.50 m. / 59" . White (3 brackets)	7056060	7032060	7080060	1
Panel track 2.00 m. / 79" . White (3 brackets)	7057060	7033060	7081060	1
Panel track 2.50 m. / 98" . White (4 brackets)	7058060	7034060	7082060	1
Panel track 3.00 m. / 118" . White (5 brackets)	7059060	7035060	7083060	1
Panel track 3.50 m. / 138" . White (6 brackets)	7060060	7036060	7084060	1
Panel track 4.00 m. / 157" . White (6 brackets)	7061060	7037060	7085060	1

**Please indicate:**

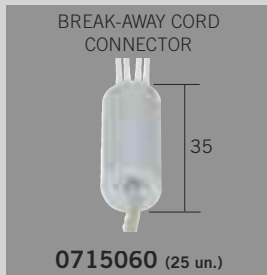
- Total width of the profile
- Single stack (left or right) or pair stacking (front-left or front-right).
- Number of panels and panels' width (or standard width, in which case we calculate the panels' width for you).
- Standard overlap is 5 cm. (If different indicate).
- Uncorded or corded (left or right and cord-drop. Standard cord-drop is 200 cm.).
- Indicate as well width of the bottom-bars: same as the panels or standard (3 cm. shorter)

# « SLIDING PANELS SYSTEM WITH ROMAN BLINDS »



## WITH FIBREGLASS RODS

DESCRIPTION	REFERENCE	OUTER
Up to 0.90 m. / 35 "	7181060	1
From 0.91 m. / 36 "	7182060	1



## « SAMPLES »



COLOUR CODE: 06. WHITE  
PACKAGING CODE: 0. BULK

# « SLIDING PANELS SYSTEM ACCESSORIES »

<p>PROF. 2 CHANNELS (12 un.)</p>  <p><b>0936060</b> (4 m.)</p>	<p>PROF. 3 CHANNELS (12 un.)</p>  <p><b>0937060</b> (4 m.)</p>	<p>PROF. 4 CHANNELS (12 un.)</p>  <p><b>0938060</b> (4 m.)</p>	<p>PROF. 5 CHANNELS (10 un.)</p>  <p><b>0939060</b> (4 m.)</p>	<p>SLIDING PANEL (20 un.)</p>  <p><b>0940060</b> (4 m.)</p>		
<p>END-STOP 2 CHANNELS</p>  <p><b>0918060</b> (10 pairs)</p>	<p>END-STOP 3 CHANNELS</p>  <p><b>0919060</b> (10 pairs)</p>	<p>END-STOP 4 CHANNELS</p>  <p><b>0920060</b> (10 pairs)</p>	<p>END-STOP 5 CHANNELS</p>  <p><b>0921060</b> (10 pairs)</p>	<p>UNCORDED END-STOP</p>  <p><b>0922060</b> (10 pairs)</p>		
<p>BOTTOM-BAR "B" (4m.) (10 un.)</p>  <p><b>1100060</b> (ALUM.) <b>7492060</b> (PVC)</p>	<p>BOTTOM-BAR CAP "B"</p>  <p><b>1779200</b> (50 un.)</p>	<p>BOTTOM-BAR "S" (4m.) (10 un.)</p>  <p><b>7274060</b> (ALUM.) <b>7491060</b> (PVC)</p>	<p>ALUM. BOTTOM-BAR CAP "S" 25 X 3</p>  <p><b>1772200</b> (50 un.)</p>	<p>CLEAR BOTTOM-BAR (3m.)</p>  <p><b>7344200</b> (10 un.)</p>	<p>CORD-MASTER</p>  <p><b>0916060</b> (25 un.)</p>	
<p>SLIDE</p>  <p><b>0959060</b> (100 un.)</p>	<p>END-STOP</p>  <p><b>0941060</b> (50 un.)</p>	<p>PUSHER "L"</p>  <p><b>0923060</b> (50 un.)</p>	<p>STOPPER</p>  <p><b>0917400</b> (100 un.)</p>	<p>END-STOP</p>  <p><b>0924060</b> (50 un.)</p>	<p>UNCORDED END-STOP</p>  <p><b>0935060</b> (50 un.)</p>	
<p>SHORT TOP-FIX BKT. 2-3 CHANNELS (FIXED)</p>  <p><b>0925400</b> (25 un.)</p>	<p>SHORT TOP-FIX BKT. 2-3 CHANNELS (ADJUST.)</p>  <p><b>0948400</b> (25 un.)</p>	<p>LONG TOP-FIX BKT. 4-5 CHANNELS (FIXED)</p>  <p><b>0927400</b> (25 un.)</p>	<p>LONG TOP-FIX BKT. 4-5 CHANNELS (ADJUST.)</p>  <p><b>0949400</b> (25 un.)</p>	<p>BKT. 9-12 cm.</p>  <p><b>1817060</b> (20 un.)</p>	<p>SQUARE NUT <b>M4x12</b></p>  <p><b>0791400</b> (200 un.)</p>	<p>SCREW <b>M4x10</b></p>  <p><b>0761400</b> (200 un.)</p>
<p>AUTOMATIC TOP-FIX BKT. 2-3 CHANNELS</p>  <p><b>7474060</b> (25 un.)</p>	<p>AUTOMATIC TOP-FIX BKT. 4-5 CHANNELS</p>  <p><b>7475060</b> (25 un.)</p>	<p>JOINER 2-3 CHANNELS</p>  <p><b>0966400</b> (10 un.)</p>	<p>JOINER 4-5 CHANNELS</p>  <p><b>0983400</b> (10 un.)</p>	<p>WASHER Ø30</p>  <p><b>1863060</b> (50 un.)</p>	<p>TENSION-PULLEY</p>  <p><b>0419060</b> (25 un.)</p>	<p>CORD 3.0/3.2 mm.</p>  <p><b>2553060</b> (200 m.)</p>

COLOUR CODE: 06. WHITE 20. CLEAR 40. SILVER

PACKAGING CODE: 0. BULK 2. BLISTER 4. PLASTIC BAG