

# ZIRCONIO & ELITE

28-20 mm.

STEEL POLES  
28 & 20 mm.



# « ZIRCONIO 28 mm. »



## \*\* COLOURS:



42. MATT-NICKEL



43. CHROMED



47. ANTIQUE-BRASS



50. BLACK-NICKEL



51. GUNMETAL

## T.B.D.



44. GOLD



46. MATT-BRASS

## TUBES

4482\*\*3 (1.50 m.)

4483\*\*3 (2.00 m.)

4484\*\*3 (2.50 m.)

4485\*\*3 (3.00 m.)

## \*\* WOOD COLOURS:



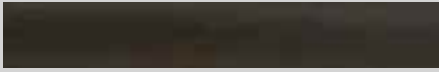
01. WALNUT



02. PINE



03. TEAK



10. WENGUE

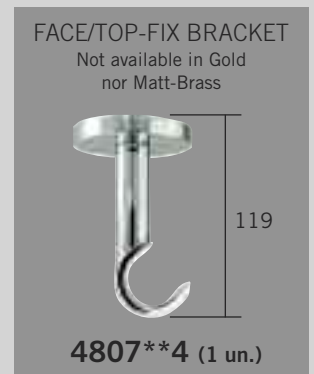
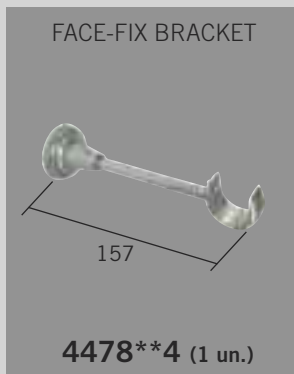
## POLES

2929\*\*3 (1.50 m.)

2931\*\*3 (2.10 m.)

2932\*\*3 (2.40 m.)

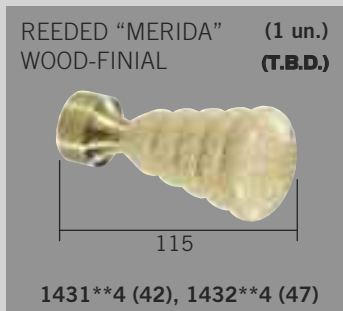
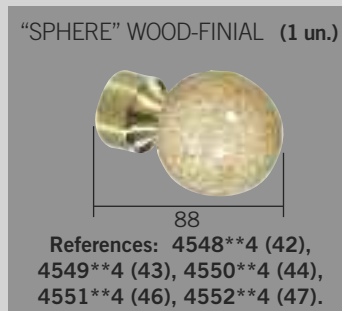
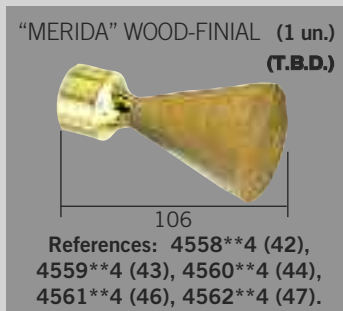
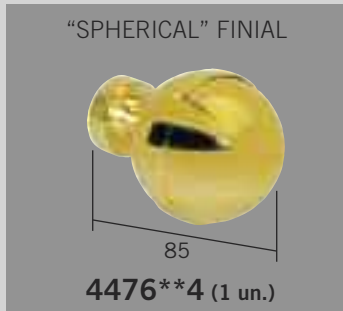
2934\*\*3 (3.00 m.)



COLOUR CODE: Where \*\*\*, substitute them with the required & available two digit colour code.

PACKAGING CODE: 0. BULK 3. SKIN 4. PLASTIC BAG

## « ZIRCONIO 28 mm. »



COLOUR CODE: Where "\*\*\*\*", substitute them with the required & available two digit colour code (See Pg. 38)

PACKAGING CODE: 4. PLASTIC BAG

# « ZIRCONIO 20 mm. »

WOOD/ZIRCONIO 20mm.  
WALL MOUNTED DISPLAY

60  
60

**2245000**

ZIRCONIO 28-20mm. "S"  
TABLE-DISPLAY

**4093000**

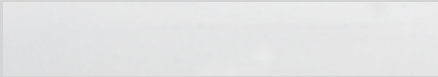
ZIRCONIO 28-20mm. "F"  
TABLE-DISPLAY

**4084000**

WROUGHT IRON/ZIRCONIO  
SAMPLE-BOX

**4290000**

## \*\* COLOURS:



06. WHITE



42. MATT-NICKEL



43. CHROMED



47. ANTIQUE-BRASS



50. BLACK-NICKEL



51. GUNMETAL

## T.B.D.



44. GOLD



46. MATT-BRASS

## TUBES

**4458\*\*3 (1.50 m.)**

**4459\*\*3 (2.00 m.)**

**4460\*\*3 (2.50 m.)**

**4409\*\*3 (3.00 m.)**

FLAT SILENT RING

40,5

**4538\*\*4 (Bag of 10)**

ROUND SILENT RING

40,5

**4465\*\*4 (Bag of 10)**

JOINING PIECE

120

**4032444 (1 un.)**

HINGE  
Not available in Black-Nickel

48

**4584\*\*4 (1 un.)**

RECESS BRACKET

28

**4539\*\*4 (2 un.)**

TOP-FIX BRACKET  
Not available in Black-Nickel

52

**4468\*\*4 (1 un.)**

LONG TOP-FIX BRACKET

80

**4083\*\*4 (1 un.)**

FACE-FIX BRACKET

112

**4411\*\*4 (1 un.)**

EXTENDIBLE BRACKET

113/160  
190/230

**4466\*\*4 (1 un.)**

Available only in  
Matt-Nickel, Black-Nickel  
& Gunmetal

**4535\*\*4 (1 un.)**

DOUBLE BRACKET Ø20-20

172  
110

**4412\*\*4 (1 un.)**

Not available in  
Matt Brass nor Gold

**4496\*\*4 (1 un.)**

COLOUR CODE: Where "\*\*", substitute them with the required & available two digit colour code.

PACKAGING CODE: 0. BULK 3. SKIN 4. PLASTIC BAG

# « ZIRCONIO 20 mm. »

“RIBBED SPHERE” FINIAL  
Not available in Black-Nickel



86

**4540\*\*4 (1 un.)**

“DAMA” FINIAL



36

**4416\*\*4 (1 un.)**


“BARREL” FINIAL  
Not available in Black-Nickel



49

**4413\*\*4 (1 un.)**

“CONE” FINIAL



51

**4415\*\*4 (1 un.)**

“REGENCY” FINIAL  
Not available in Matt-Brass



39

**4836\*\*4 (1 un.)**

“CORDOBA” FINIAL  
Not available in Black-Nickel



63

**4593\*\*4 (1 un.)**


“SPLIT” FINIAL  
Not available in Gold nor Matt-Brass



61

**4806\*\*4 (1 un.)**


“CADIZ” FINIAL



63

**4414\*\*4 (1 un.)**

“DORIC” FINIAL  
Not available in White, Gold nor Matt-Brass



19

**4627\*\*4 (1 un.)**

“END-CAP” FINIAL



21

**4422\*\*4 (1 un.)**


“MÓDENA” FINIAL  
Not available in Matt-Brass



70

**4834\*\*4 (1 un.)**

“BICOLOUR SPHERE” FINIAL  
(Available in Matt-Nickel/Chromed, Black-Nickel/Matt-Nickel, Matt-Nickel/Black-Nickel & Gunmetal/Chromed)



68

**4827\*\*4 (1 un.)**

“BICOLOUR DAMA” FINIAL  
(Available in Matt-Nickel/Chromed, Black-Nickel/Matt-Nickel, Matt-Nickel/Black-Nickel & Gunmetal/Chromed)



82

**4828\*\*4 (1 un.)**

“BICOLOUR PRISM” FINIAL  
Available **only** in Chromed/Matt nickel, Antiq. brass & Black-Nickel/Matt-Nickel



70

**4832\*\*4 (1 un.)**

“BICOLOUR Pincer” FINIAL  
Available **only** in Chromed/Matt nickel, Antiq. brass & Black-Nickel/Matt-Nickel



93

**4838\*\*4 (1 un.)**

“SPHERE WITH GLASS” FINIAL  
Not available in Gold nor Matt-Brass



75

**4804\*\*4 (1 un.)**

“DAMA WITH GLASS” FINIAL  
Not available in Gold nor Matt-Brass



71

**4805\*\*4 (1 un.)**

“CYLINDER WITH GLASS” FINIAL  
Not available in Gold nor Matt-Brass



69

**4803\*\*4 (1 un.)**

“SPHERE” GLASS-FINIAL  
Available **only** in Matt-Nickel & Antq.-Brass



65

**4748\*\*4 (1 un.)**

“SAPPHIRE” GLASS-FINIAL  
Available **only** in Matt-Nickel & Antq.-Brass



75

**4749\*\*4 (1 un.)**

“DIAMOND” GLASS-FINIAL  
Available **only** in Matt-Nickel & Antq.-Brass



74

**4726\*\*4 (1 un.)**

“SPACE” GLASS-FINIAL  
Available **only** in Matt-Nickel & Antq.-Brass



59

**4727\*\*4 (1 un.)**

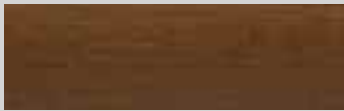
COLOUR CODE: Where “\*\*\*”, substitute them with the required & available two digit colour code (See Pg. 40)

PACKAGING CODE: 4. PLASTIC BAG



## « ZIRCONIO 20 mm. »

### \*\* WOOD COLOURS:



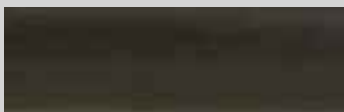
01. WALNUT



02. PINE



03. TEAK



10. WENGUE

### POLES

2936\*\*3 (1.50 m.)

2938\*\*3 (2.10 m.)

2939\*\*3 (2.40 m.)

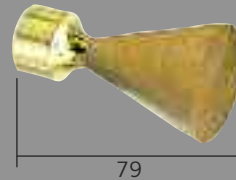
2987\*\*3 (3.00 m.)

“BADAJOZ” WOOD-FINIAL (1 un.)



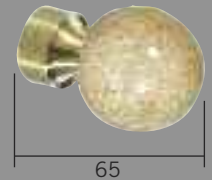
References: 4456\*\*4 (42),  
4543\*\*4 (43), 4498\*\*4 (44),  
4544\*\*4 (46), 4501\*\*4 (47).

“MERIDA” WOOD-FINIAL (1 un.)



References: 4457\*\*4 (42),  
4545\*\*4 (43), 4499\*\*4 (44),  
4546\*\*4 (46), 4502\*\*4 (47).

“SPHERE” WOOD-FINIAL (1 un.)



References: 4418\*\*4 (42),  
4541\*\*4 (43), 4500\*\*4 (44),  
4542\*\*4 (46), 4503\*\*4 (47).

REEDED “BADAJOZ” (1 un.)  
WOOD-FINIAL (T.B.D.)



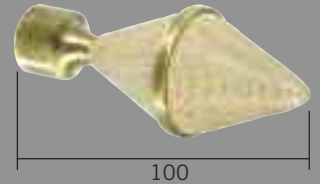
1345\*\*4 (42), 1347\*\*4 (47)

REEDED “MERIDA” (1 un.)  
WOOD-FINIAL (T.B.D.)



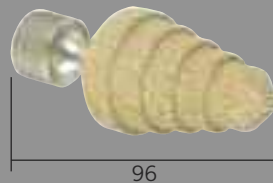
1215\*\*4 (42), 1344\*\*4 (47)

“JAVA” WOOD-FINIAL (1 un.)  
(T.B.D.)



1348\*\*4 (42), 1413\*\*4 (47)

REEDED “BORNEO” (1 un.)  
WOOD-FINIAL (T.B.D.)



1429\*\*4 (42), 1430\*\*4 (47)

REEDED “MELINA” (1 un.)  
WOOD-FINIAL (T.B.D.)



1427\*\*4 (42), 1428\*\*4 (47)

“OVAL” WOOD-FINIAL (1 un.)  
(T.B.D.)



1414\*\*4 (42), 2189\*\*4 (47)

## « COMMON ACCESSORIES »

PLAIN HOOK  
Not available in White



4572\*\*4 (1 un.)

TIE BACK HOOK DIAMOND 50 mm.  
Not available in White



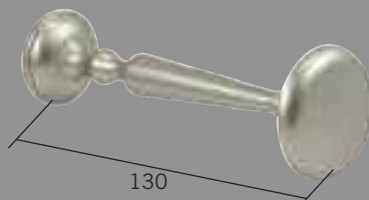
4595\*\*4 (1 un.)

TIE BACK HOOK DIAMOND 78 mm.  
Not available in White



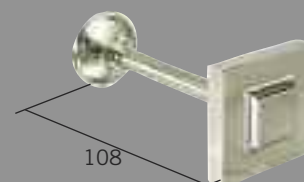
4596\*\*4 (1 un.)

PLAIN HOLD-BACK  
Not available in Black-Nickel nor White



4597\*\*4 (1 un.)

SQUARE HOLD-BACK  
Available **only** in Matt-Nickel, Antq.-Brass & Stainless steel



4746\*\*4 (1 un.)



CURTAIN DRAW ROD 1.00 m.  
Not available in Black-Nickel nor White

4599\*\*4 (1 un.)

COLOUR CODE: Where “\*\*\*”, substitute them with the required & available two digit colour code (See Pg. 40)

PACKAGING CODE: 3. SKIN 4. PLASTIC BAG

# « SQUARE ZIRCONIO 20 mm. »

\*\* COLOURS:



42. MATT-NICKEL



47. ANTIQUE-BRASS

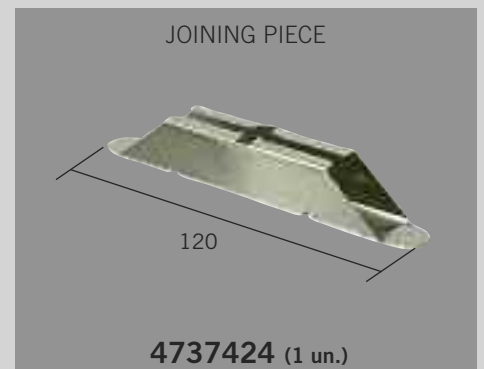
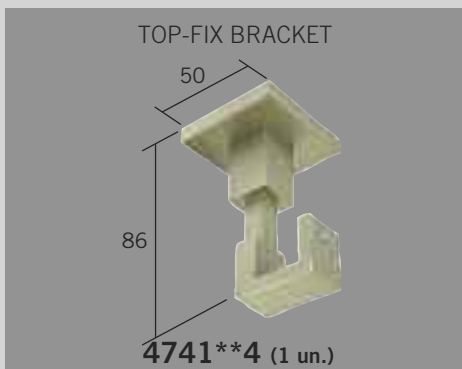
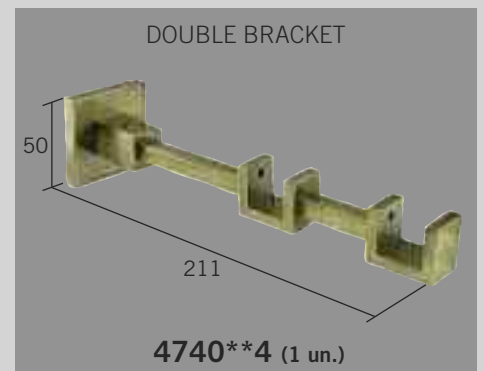
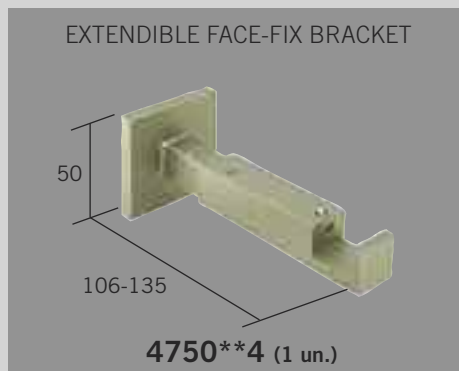
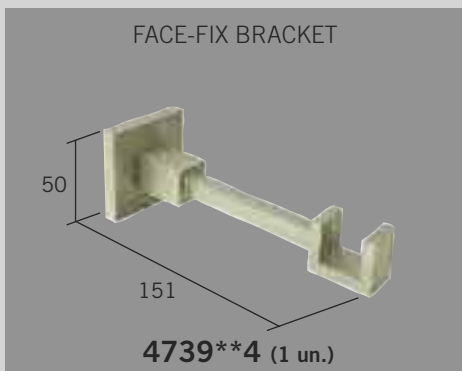
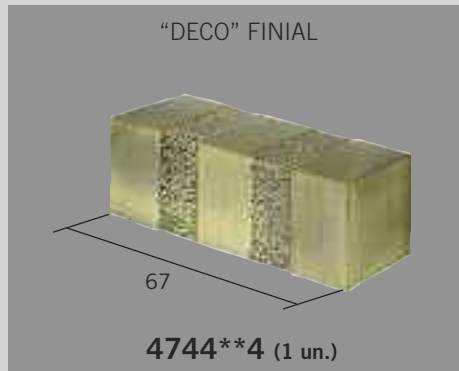


49. STAINLESS STEEL



## TUBES

- 4733\*\*3 (1.50 m.)
- 4734\*\*3 (2.00 m.)
- 4735\*\*3 (2.50 m.)
- 4736\*\*3 (3.00 m.)



COLOUR CODE: Where \*\*\*, substitute them with the required & available two digit colour code.

PACKAGING CODE: 0. BULK 3. SKIN 4. PLASTIC BAG

# « ELITE 28-20 mm. (SOLID BRASS) »

\*\* COLOURS:



47. ANTIQUE-BRASS



49. STAINLESS STEEL

TUBES	28 mm.	20 mm.
1.50 m.	4756**0	4778**0
2.00 m.	4757**0	4779**0
2.50 m.	4758**0	4780**0
3.00 m.	4759**0	4781**0

BRASS "ELITE" 28-20mm.  
TABLE-DISPLAY

**2199000**

STANDARD BRACKET (1 un.)

**Ø28: 4768\*\*4 (A= 115, B= 50)**  
**Ø20: 4790\*\*4 (A= 110, B= 50)**

LONG BRACKET (1 un.)

**Ø28: 4769\*\*4 (A= 180, B= 50)**  
**Ø20: 4791\*\*4 (A= 170, B= 50)**

TOP-FIX BRACKET (1 un.)

**Ø28: 4752\*\*4 (A= 83, B= 70)**  
**Ø20: 4775\*\*4 (A= 80, B= 65)**

DOUBLE TOP-FIX BKT. (1 un.)

**Ø28: 4753\*\*4 (A= 83, B= 130)**  
**Ø20: 4776\*\*4 (A= 80, B= 106)**

DOUBLE TOP-FIX BKT. Ø28-20 (1 un.)

**Ø28-20: 4754\*\*4 (A= 83, B= 115)**

DOUBLE POLE ACCS. (1 un.)

**Ø28: 4755\*\*4 (A= 54)**  
**Ø20: 4777\*\*4 (A= 48)**

RING (Bag of 10)

**Ø28: 4751\*\*4**  
**Ø20: 4774\*\*4**

RECESS BRACKET (1 un.)

**Ø28: 4794\*\*4 (A= 33)**  
**Ø20: 4795\*\*4 (A= 30)**

END-CAP/STOPPER (1 un.)

**Ø28: 4798\*\*4 (A= 40)**  
**Ø20: 4799\*\*4 (A= 30)**

END-CAP FINIAL (1 un.)

**Ø28: 4792\*\*4 (A= 33)**  
**Ø20: 4793\*\*4 (A= 24)**

"GENOVA" FINIAL (1 un.)

**Ø28: 4767\*\*4 (A= 71)**  
**Ø20: 4789\*\*4 (A= 59)**

"MILAN" FINIAL (1 un.)

**Ø28: 4765\*\*4 (A= 80)**  
**Ø20: 4787\*\*4 (A= 60)**

"TURIN" FINIAL (1 un.)

**Ø28: 4766\*\*4 (A= 78)**  
**Ø20: 4788\*\*4 (A= 60)**

"BARI" FINIAL (1 un.)

**Ø28: 4764\*\*4 (A= 80)**  
**Ø20: 4786\*\*4 (A= 60)**

"PISA" FINIAL (1 un.)

**Ø28: 4762\*\*4 (A= 73)**  
**Ø20: 4784\*\*4 (A= 52)**

"NAPOLES" FINIAL (1 un.)

**Ø28: 4763\*\*4 (A= 40)**  
**Ø20: 4785\*\*4 (A= 28)**

"LIVORNO" FINIAL (1 un.)

**Ø28: 4761\*\*4 (A= 56)**  
**Ø20: 4783\*\*4 (A= 39)**

"ROMA" FINIAL (1 un.)

**Ø28: 4760\*\*4 (A= 57)**  
**Ø20: 4782\*\*4 (A= 41)**

COLOUR CODE: Where \*\*\*, substitute them with the required & available two digit colour code.

PACKAGING CODE: 0. BULK 4. PLASTIC BAG