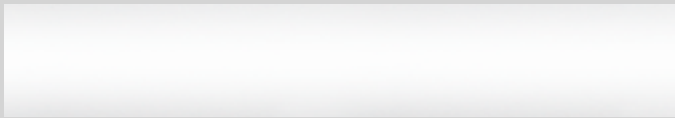


WROUGHT IRON

28-20 mm.



« COLOURS »



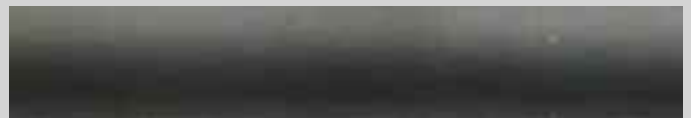
06. WHITE



62. IVORY-GOLD



60. MATT-SILVER



07. BLACK



63. OXIDE



69. BLACK-GOLD

« TO BE DISCONTINUED »



73. BLACK-SILVER



74. GREEN-GOLD



75. RED-GOLD



76. CLAY



65. BLUE-WHITE



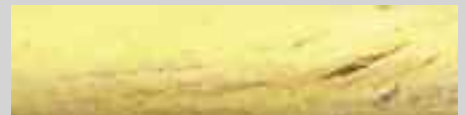
72. BLACK-COPPER



61. GREEN-BLACK



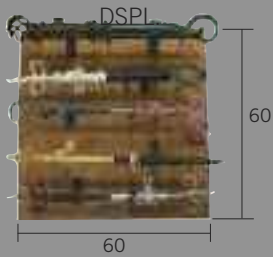
68. SALMON-GOLD



66. YELLOW-GOLD

« WROUGHT IRON DISPLAYS »

WR. IRON 28-20mm. WALL MOUNTED



1184000

WROUGHT IRON TABLE-DISPLAY



4080000

WROUGHT IRON/ZIRCONIO SAMPLE-BOX



4290000

« TUBES »

TUBE Ø28



1.50 m.	2.00 m.	2.50 m.	3.00 m.
4053**3	4054**3	4055**3	4056**3

TUBE Ø20



1.50 m.	2.00 m.	2.50 m.	3.00 m.
4008**3	4009**3	4010**3	4011**3

COLOUR CODE: Where "***", substitute them with the required & available two digit colour code.

PACKAGING CODE: 0. BULK 3. SKIN

« ACCESSORIES Ø28 mm. »

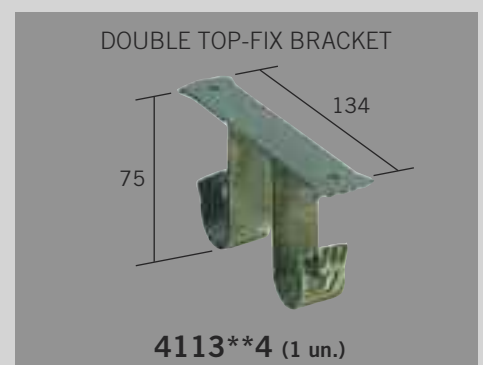
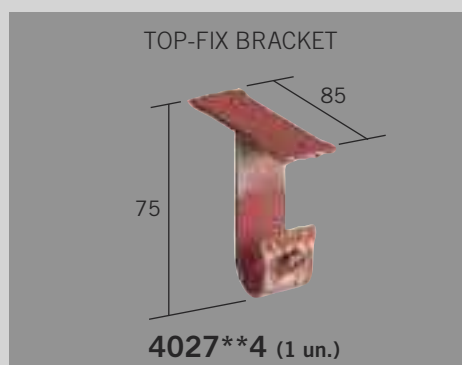
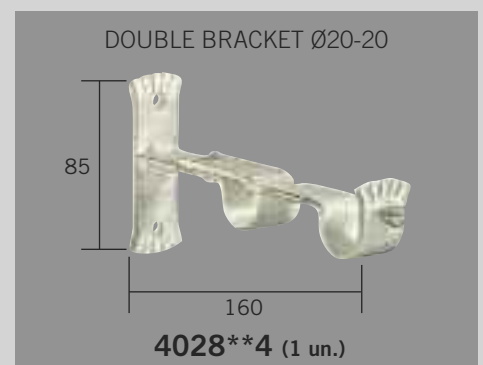
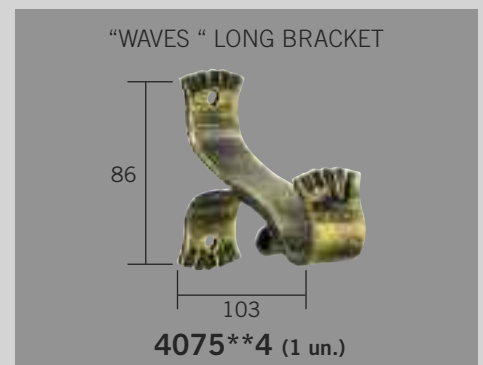
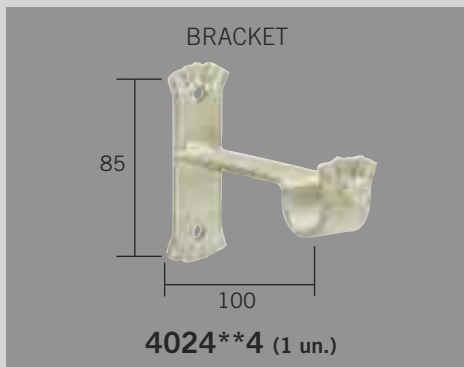
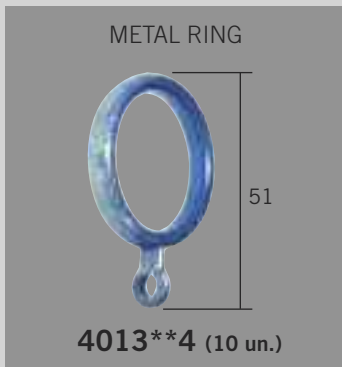
<p>METAL RING</p> <p>65</p> <p>4052**4 (10 un.)</p>	<p>PLASTIC INNER RING</p> <p>42</p> <p>4363074 / Black (10 un.) 4363204 / Clear (10 un.)</p>	<p>JOINING PIECE</p> <p>120</p> <p>4070444 (1 un.)</p>	<p>90° CORNER</p> <p>375 160</p> <p>4137**0 (1 un.)</p>
<p>BRACKET</p> <p>85 110</p> <p>4047**4 (1 un.)</p>	<p>"MODERNIST" BRACKET</p> <p>95 120</p> <p>4152**4 (1 un.)</p>	<p>LONG BRACKET</p> <p>85 145</p> <p>4051**4 (1 un.)</p>	<p>EXTENDIBLE BRACKET</p> <p>85 250 max. 150 min.</p> <p>4101**4 (1 un.)</p>
<p>DOUBLE BRACKET Ø28-20</p> <p>85 184</p> <p>4050**4 (1 un.)</p>	<p>DOUBLE BRACKET Ø28-28</p> <p>85 184</p> <p>4049**4 (1 un.)</p>	<p>RECESS BRACKET</p> <p>85</p> <p>4048**4 (1 un.)</p>	<p>TOP-FIX BRACKET</p> <p>85 80</p> <p>4046**4 (1 un.)</p>
<p>"LEAVES" FINIAL</p> <p>155</p> <p>4609**4 (2 un.)</p>	<p>"PARIS" FINIAL</p> <p>163</p> <p>4059**4 (1 un.)</p>	<p>"IBIZA" FINIAL</p> <p>133</p> <p>4058**4 (1 un.)</p>	<p>"LYRE" FINIAL</p> <p>118</p> <p>4067**4 (1 un.)</p>
<p>RIBBED "SPHERICAL" FINIAL</p> <p>67</p> <p>4106**4 (1 un.)</p>	<p>"CAGE" FINIAL</p> <p>102</p> <p>4060**4 (1 un.)</p>	<p>"PLUG" FINIAL</p> <p>42 22</p> <p>4069**4 (1 un.)</p>	<p>ARM HOLD BACK</p> <p>255 98</p> <p>4099**4 (1 un.)</p>

NOTE: 75. RED-GOLD & 76. CLAY, NOT AVAILABLE IN Ø28.

COLOUR CODE: Where "***", substitute them with the required & available two digit colour code (See Pg. 50)

PACKAGING CODE: 0. BULK 4. PLASTIC BAG

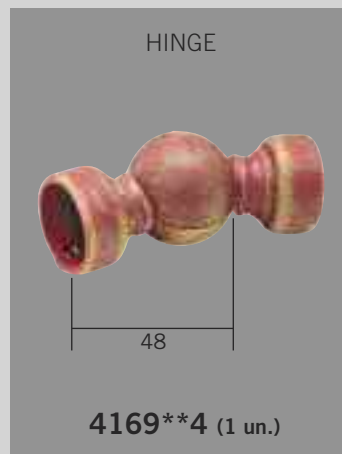
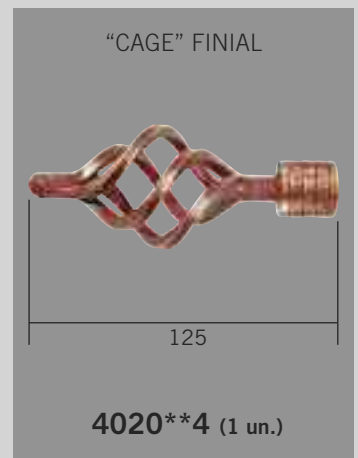
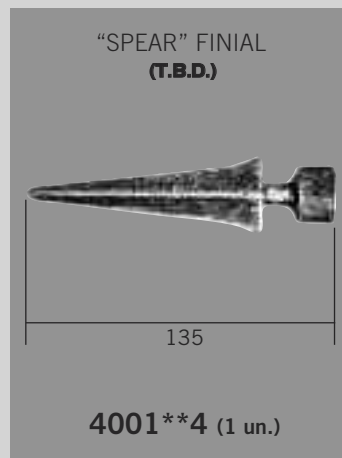
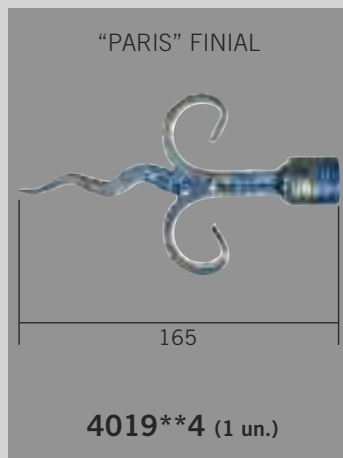
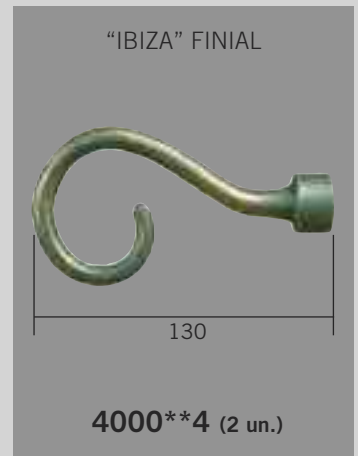
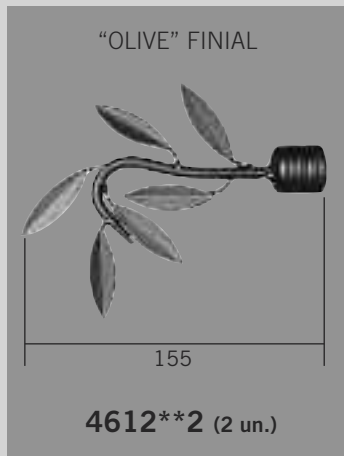
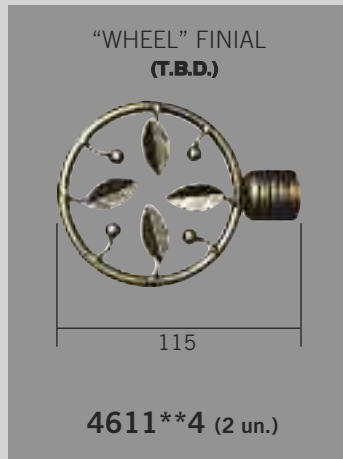
« ACCESSORIES Ø20 mm. »



COLOUR CODE: Where "**", substitute them with the required & available two digit colour code (See Pg. 50)

PACKAGING CODE: 0. BULK 4. PLASTIC BAG

« ACCESSORIES Ø20 mm. »




COLOUR CODE: Where "***", substitute them with the required & available two digit colour code (See Pg. 46)

PACKAGING CODE: 2. BLISTER 4. PLASTIC BAG


« COMMON ACCESSORIES »

ACCS. 20-20 / 28-20
(TO BE USED ONLY WITH RFS. 4033**4 & 4101**4)



41684** (1 un.)

“BOW” TIE-BACK



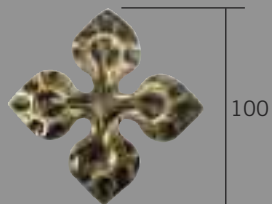
40394** (1 un.)

BALL-END TIE-BACK 8 cm.



41034** (1 un.)

FLOWER (4) SCREW-IN



40664** (1 un.)

FLOWER (6) SCREW-IN (T.B.D.)



40314** (1 un.)

SUN SCREW-IN (T.B.D.)



40384** (1 un.)

SCREW-IN ARM/ HOLD-BACK (T.B.D.)

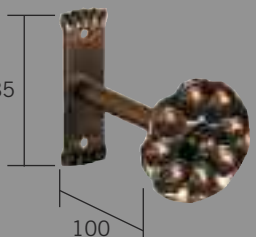


41004** (1 un.)



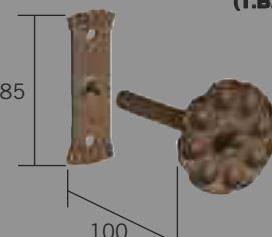
4031**4 4038**4 4066**4

HOLD-BACK 10 cm. (T.B.D.)



40294** (1 un.)

HOLD-BACK (2 PCS.) 10 cm. (T.B.D.)



40414** (1 un.)

HOLD-BACK 15 cm. (T.B.D.)



40304** (1 un.)

HOLD-BACK (2 PCS.) 15 cm. (T.B.D.)



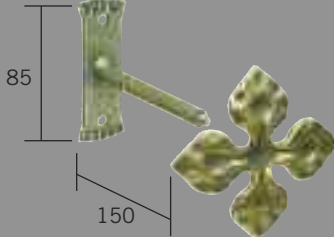
40424** (1 un.)

FLOWER HOLD-BACK 10 cm.



40644** (1 un.)

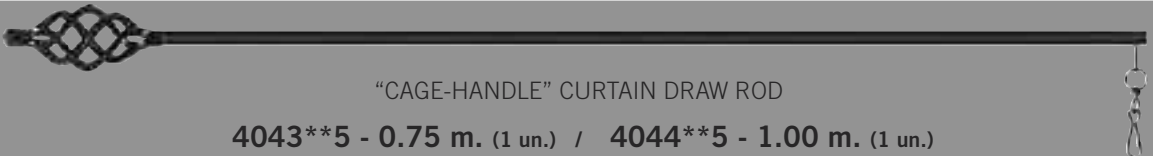
FLOWER HOLD-BACK 15 cm.



40654** (1 un.)



“TWISTED” CURTAIN DRAW ROD
40365 - 0.75 m. (1 un.) / 4037**5 - 1.00 m. (1 un.)**



“CAGE-HANDLE” CURTAIN DRAW ROD
40435 - 0.75 m. (1 un.) / 4044**5 - 1.00 m. (1 un.)**

COLOUR CODE: Where “**”, substitute them with the required & available two digit colour code (See Pg. 46)

PACKAGING CODE: 4. PLASTIC BAG 5. PLASTIC BAG WITH TAG